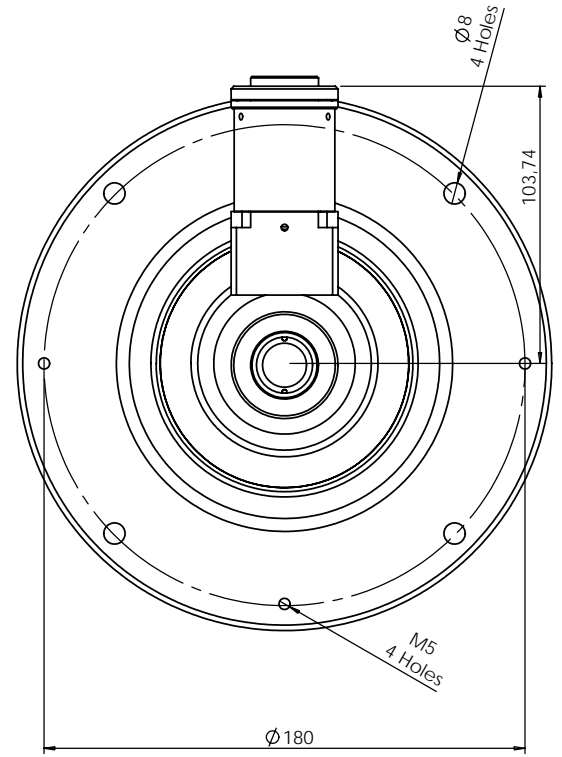
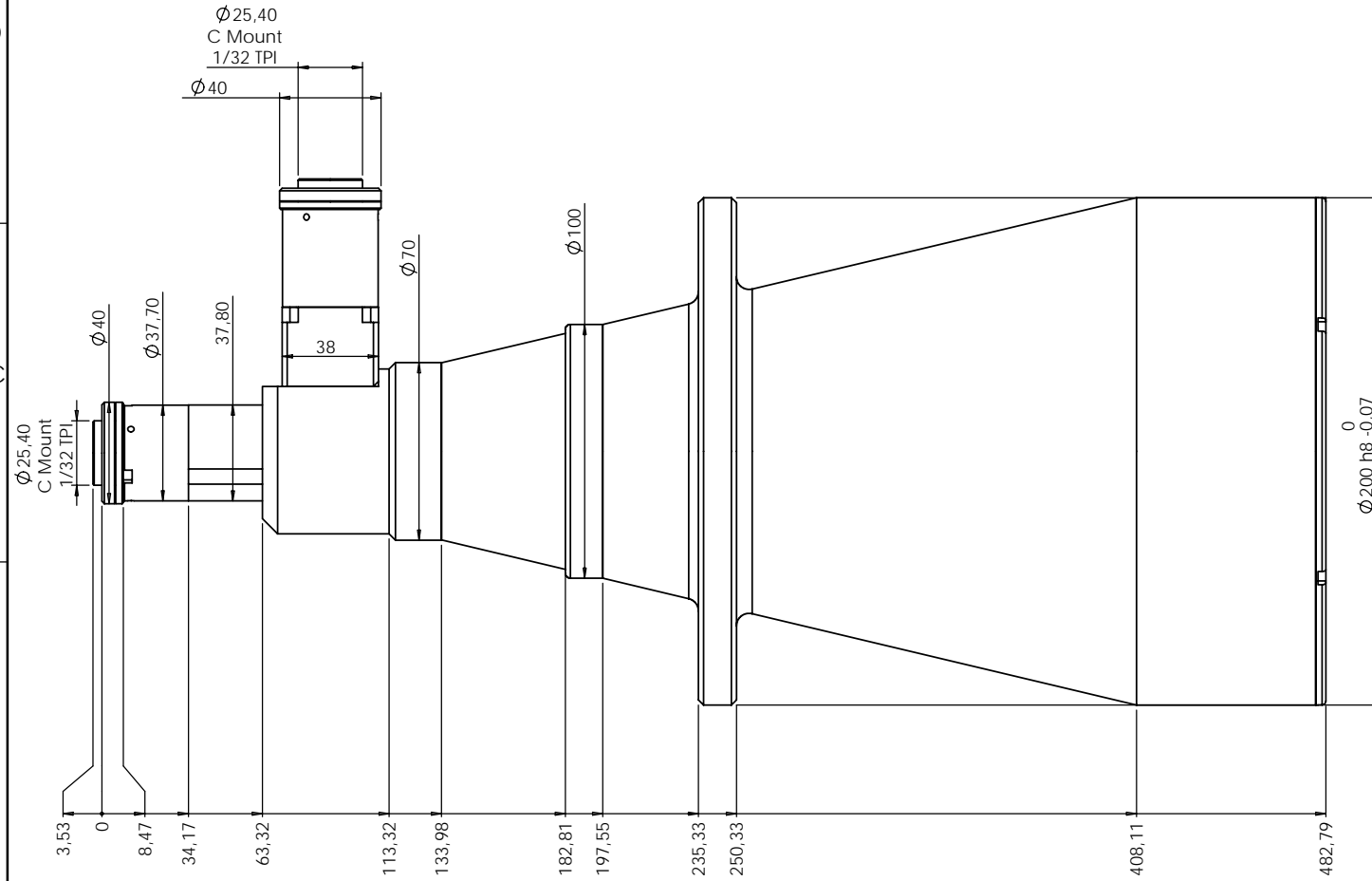


Rev No.	Description	Date	Name
A	Layout	14/12/11	A. Bnà



Material	N.A.	Surface treatment	N.A.	Mass	7.3 Kg.	Scale	1:2
Geometrical tolerance (ISO 2768-2)				Description			
Linear tolerance (ISO 2768-2)				TCDP 2X 144 Layout			
Class				K			
m				Undimensioned bevels			
1x45°				Description			
R 0.5				TCDP 2X 144 Layout			
Undimensioned radii				Drawing No.			
Date				Name			
Designed				A. Bnà			
Draw				A. Bnà			
Checked				C. Sedazzari			
Date				Name			
14/12/11				A. Bnà			
14/12/11				A. Bnà			
X				C. Sedazzari			
16315-0-A				Sheet			
1/1				Reproduction forbidden without specific authorization			
OPTO ENGINEERING S.r.l. - 46100 Mantova Italy - Via Cremona, 29/2 - Tel +39 0376 263525 - e-mai: info@opto-engineering.com - http://www.opto-engineering.com							

D  
C  
B  
A

D  
C  
B  
A